

**DESCRIPTION:**

AMC MODEL SWN-218-2DT-STANDARD OPTION: 0518 & HPR2W IS A SINGLE POLE TWO THROW, HIGH POWER ABSORPTIVE SWITCH MODULE WITH A 3.5dB INSERTION LOSS SPEC & A OPERATING FREQUENCY RANGE FROM 0.5 - 18 GHz.

REVISIONS				
ZONE	REV.	DESCRIPTION	DATE	APPROVED
		ORIGINAL RELEASE	6/5/98	

**SPECIFICATIONS:**

- FREQUENCY: ..... 0.5 GHz TO 18 GHz
- INSERTION LOSS: ..... REFLECTIVE: 2.5db  
ABSORPTIVE: 3.5db
- ISOLATION: ..... 0.5 GHz TO 2 GHz: 60db  
2 GHz TO 18 GHz: 70db
- VSWR: ..... REFLECTIVE IN/OUT: 2.0:1  
ABSORPTIVE IN/OUT: 2.0:1  
ABSORPTIVE OUT/OFF: 2.0:1
- SPEED: ..... RISE: 10ns TYPICAL, 15ns MAX.  
FALL: 10ns TYPICAL, 15ns MAX.  
DELAY ON: 75ns TYPICAL, 100ns MAX.  
DELAY OFF: 75ns TYPICAL, 100ns MAX.
- POWER INPUT: ..... (CW)+20dBm (STANDARD), +10 dBm (HIGH SPEED)
- SURVIVAL POWER: ..... 1 WATT CW, 10 WATTS PEAK 1 usec
- INDEPENDANT CONTROL: TTL LOGIC "0"=ON, "1"=OFF
- SINGLE CONTROL: ..... TTL LOGIC "0"= ON (J1-J2)  
TTL LOGIC "1"= ON (J1-J3)
- POWER SUPPLY: ..... +5V @ 100 mA MAX.  
-12V @ 75mA MAX.(REFLECTIVE)  
100mA MAX.(ABSORPTIVE/NON-REFLECTIVE)

**OPTIONS:**

- SINGLE CONTROL WITH SOLDER PIN STANDARD
- IND-SP ..... INDEPENDANT CONTROL WITH SOLDER PIN
- 10M18 ..... 10 MHz TO 18 GHz (INSERTION LOSS INCREASES BY 1.5db AT 10 MHz AND 0.5db AT 18 GHz)
- 100M18 ..... 100 MHz TO 18 GHz (INSERTION LOSS INCREASES BY 1.5db AT 100 MHz AND 0.5db AT 18 GHz)
- 118 ..... 1 GHz TO 18 GHz (NO CHANGE IN INSERTION LOSS)
- 218 ..... 2 GHz TO 18 GHz (NO CHANGE IN INSERTION LOSS)
- 412 ..... 4 GHz TO 12.4 GHz (NO CHANGE IN INSERTION LOSS)
- 618 ..... 6 GHz TO 18 GHz (NO CHANGE IN INSERTION LOSS)
- 1218 ..... 12 GHz TO 18 GHz (NO CHANGE IN INSERTION LOSS)
- 100M20 ..... 100 MHz TO 20 GHz (INSERTION LOSS INCREASES BY 1.5db AT 100 MHz AND 1.0db AT 20 GHz)
- 220 ..... 2 GHz TO 20 GHz (INSERTION LOSS INCREASES BY 1.0db AT 20 GHz)
- 1020 ..... 10 GHz TO 20 GHz (INSERTION LOSS INCREASES BY 1.0db AT 20 GHz)
- B01 ..... -12V POWER SUPPLIES
- B02 ..... -15V POWER SUPPLIES
- B03 ..... REVERSE LOGIC "1"=ON "0"=OFF
- B04 ..... DRIVERLESS, CURRENT CONTROLLED
- B05 ..... HIGH SPEED, TURNON/TURNOFF 20 nsec MAXIMUM WHEN APPLICABLE OR OPTION HS
- B06 ..... HIGH POWER - SPECIFY CW POWER, PEAK POWER, PULSE WIDTH, DUTY CYCLE, RF FREQUENCY AND BANDWIDTH
- B07 ..... CUSTOM DESIGNED PRODUCT- SPECIFY INITIALS OF CUSTOMER
- B08 ..... LOW VIDEO TRANSIENTS - SPECIFY VIDEO BANDWIDTH
- B09 ..... LOW INSERTION LOSS VERSION
- B10 ..... HIGHER ISOLATION VERSION

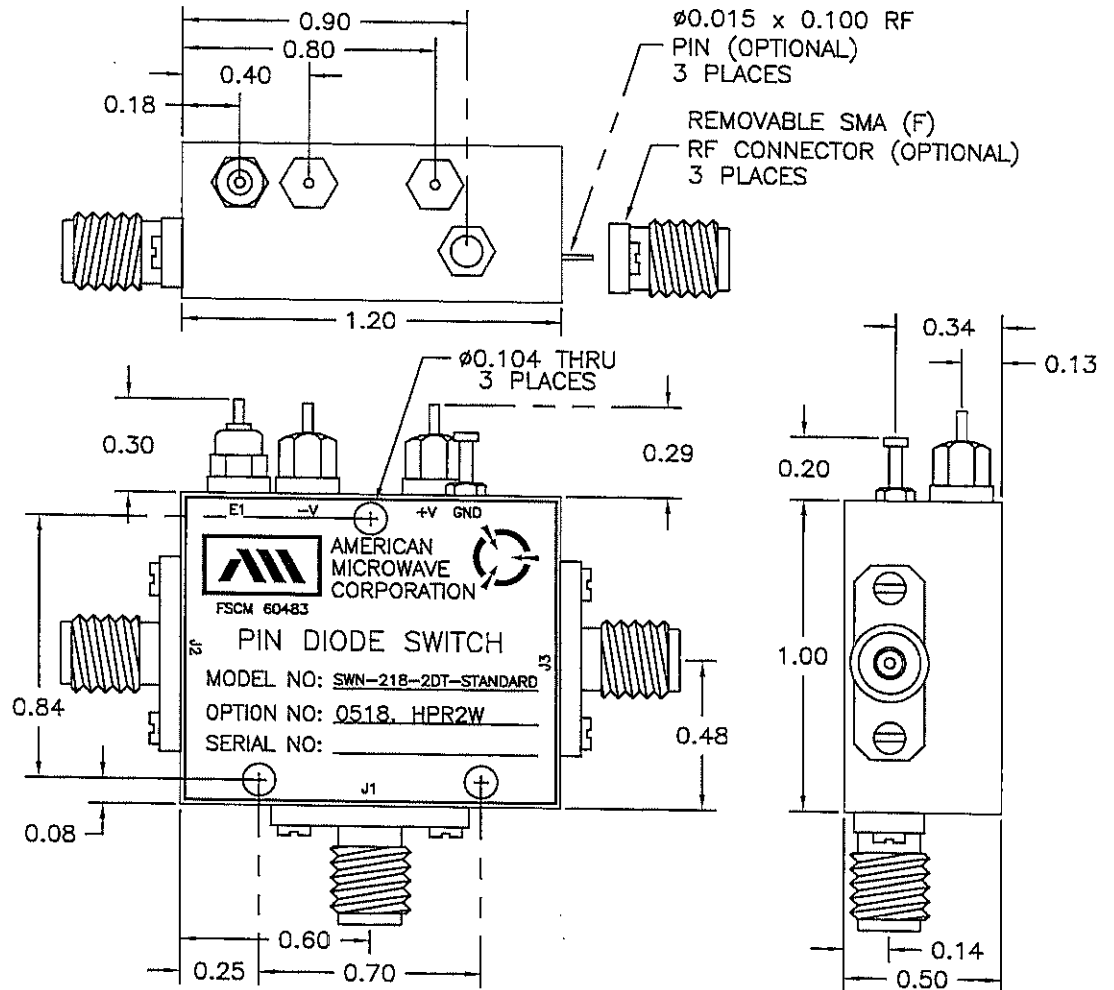
**ENVIRONMENTAL RATINGS:**

- TEMPERATURE: ..... -55°C TO +85°C (OPERATING)  
-65°C TO +125°C (STORAGE)
- HUMIDITY: ..... MIL-STD-202F, METHOD 103B COND. B
- SHOCK: ..... MIL-STD-202F, METHOD 213B COND. B
- VIBRATION: ..... MIL-STD-202F, METHOD 204D COND. B
- ALTITUDE: ..... MIL-STD-202F, METHOD 105C COND. B
- TEMPERATURE CYCLE: ..... MIL-STD-202F, METHOD 107D COND. A

NOTE: THE ABOVE SPECIFICATIONS ARE SUBJECT TO CHANGE OR REVISION

ALL DIMENSIONS ARE IN INCHES  
TOLERANCES:

- X.XX ±0.020
- X.XXX ±0.010



NOTE:

- DR=WITH DRIVER, REFLECTIVE
- DT=WITH DRIVER, NON-REFLECTIVE/ABSORPTIVE

APPROVALS		DATE	AMERICAN MICROWAVE CORPORATION FREDERICK, MARYLAND	
DRAWN	<i>JMS</i>	8/27/07	TITLE OUTLINE DRAWING SWN-218-2DT-STANDARD OPT 0518, HPR2W	
CHECKED	<i>KA</i>	8/27/07	SIZE	FSCM NO.
ISSUED			A	60483
			DWG NO.	100-4427-125
			SCALE	N/S
			SHEET	1 of 1